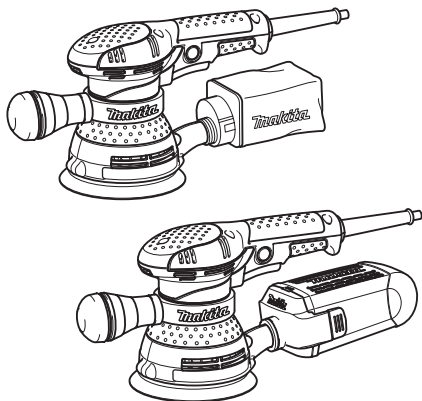




EN	Random Orbit Sander	INSTRUCTION MANUAL	5
RU	Эксцентриковая шлифовальная машина	РУКОВОДСТВО ПО ЭКСПЛУАТАЦИИ	10
KK	Эксцентриктік ажарлағыш машина	ПАЙДАЛАНУ ЖӨНІНДЕГІ НҰСҚАУЛЫҚ	17

BO5040
BO5041



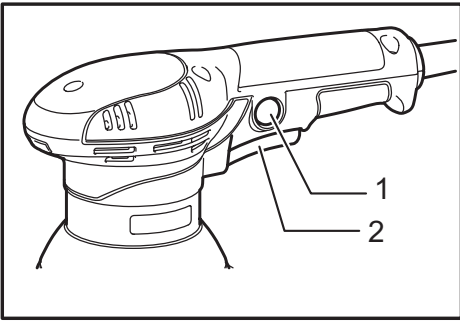


Fig.1

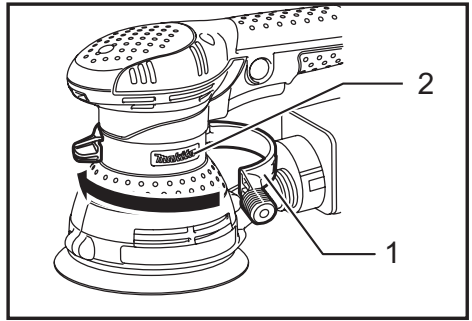


Fig.5

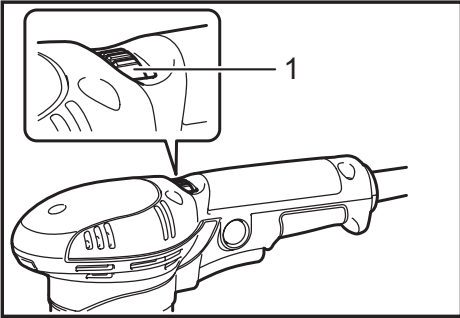


Fig.2

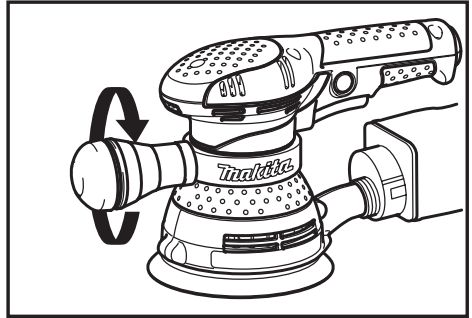


Fig.6

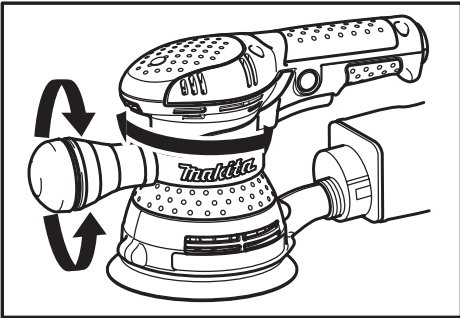


Fig.3

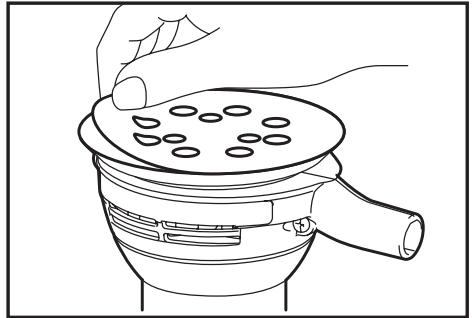


Fig.7

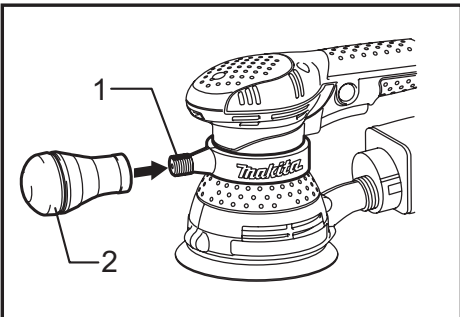


Fig.4

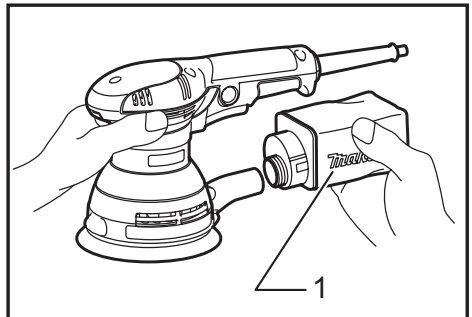


Fig.8

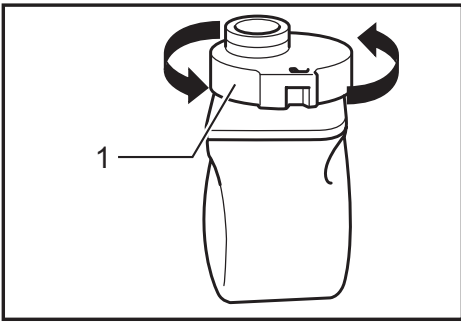


Fig.9

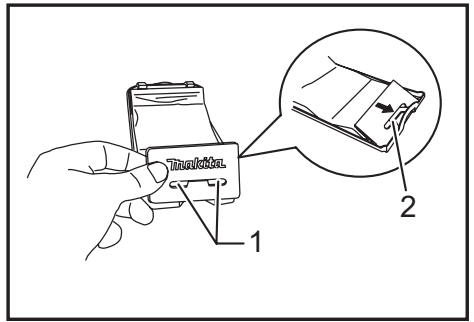


Fig.13

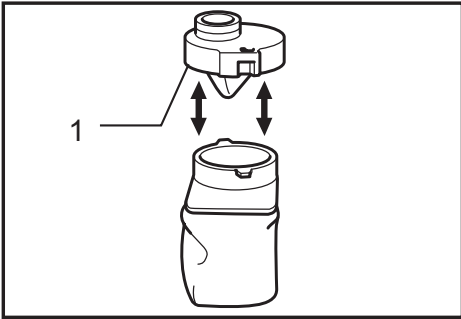


Fig.10

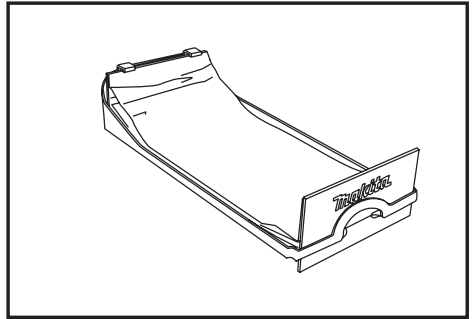


Fig.14

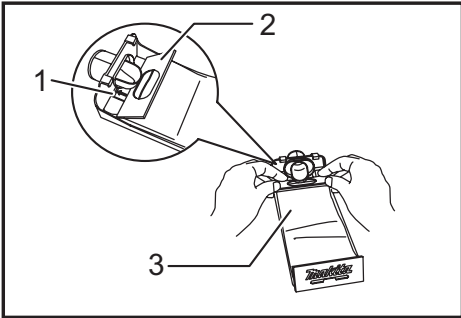


Fig.11

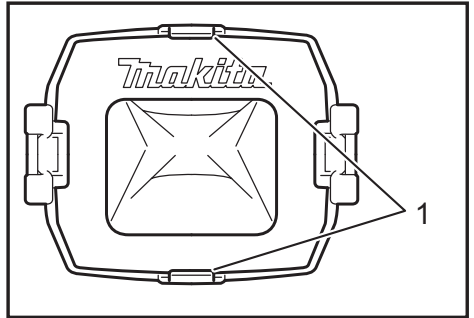


Fig.15

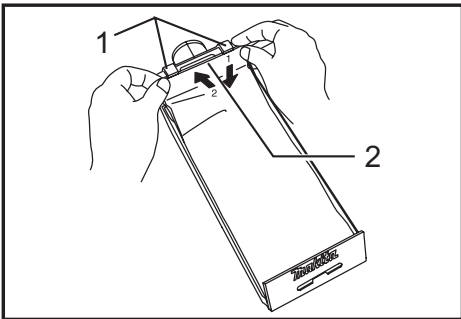


Fig.12

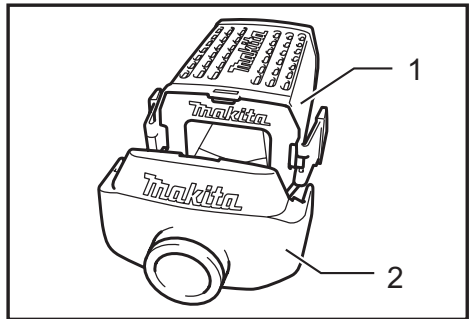


Fig.16

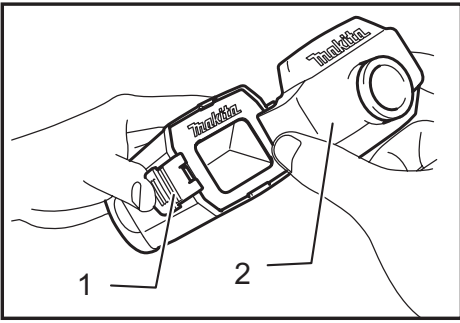


Fig.17

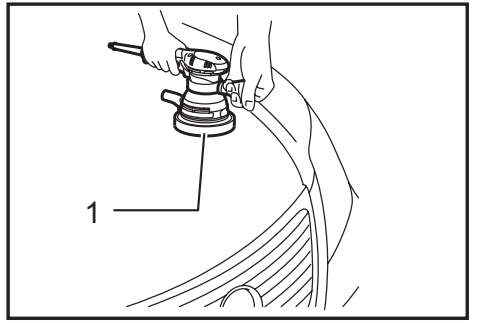


Fig.21

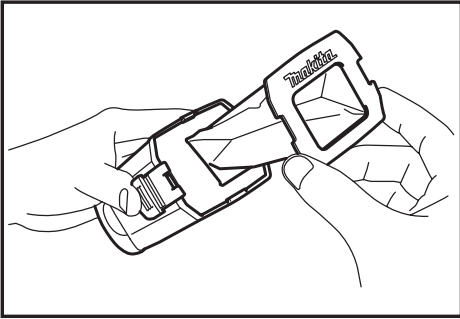


Fig.18

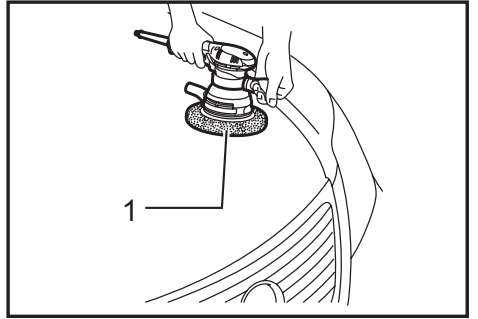


Fig.22

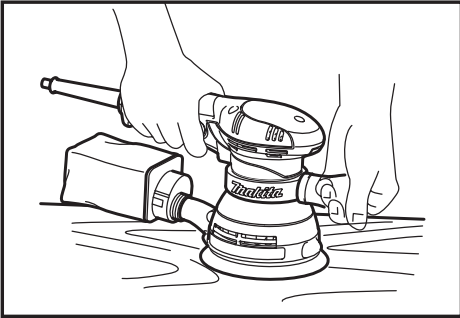


Fig.19

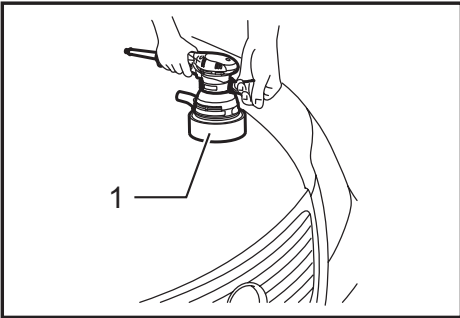


Fig.20




SPECIFICATIONS

Model	BO5040	BO5041
Paper size	125 mm	125 mm
Orbits per minute (min ⁻¹)	12,000	4,000 - 12,000
Dimensions (L x W x H)	218 mm x 123 mm x 153 mm	218 mm x 123 mm x 153 mm
Net weight	1.4 kg	1.4 kg
Safety class	□/II	□/II

- Due to our continuing program of research and development, the specifications herein are subject to change without notice.
- Specifications may differ from country to country.
- Weight according to EPTA-Procedure 01/2014

Symbols

The following show the symbols used for the equipment. Be sure that you understand their meaning before use.

	Read instruction manual.
	DOUBLE INSULATION
	Only for EU countries Do not dispose of electric equipment together with household waste material! In observance of the European Directive, on Waste Electric and Electronic Equipment and its implementation in accordance with national law, electric equipment that have reached the end of their life must be collected separately and returned to an environmentally compatible recycling facility.

Intended use

The tool is intended for the sanding of large surface of wood, plastic and metal materials as well as painted surfaces.

Power supply

The tool should be connected only to a power supply of the same voltage as indicated on the nameplate, and can only be operated on single-phase AC supply. They are double-insulated and can, therefore, also be used from sockets without earth wire.

Noise

The typical A-weighted noise level determined according to EN62841:

- Sound pressure level (L_{pA}) : 81 dB (A)
- Sound power level (L_{WA}) : 92 dB (A)
- Uncertainty (K) : 3 dB (A)

NOTE: The declared noise emission value(s) has been measured in accordance with a standard test method and may be used for comparing one tool with another.

NOTE: The declared noise emission value(s) may also be used in a preliminary assessment of exposure.

⚠ WARNING: Wear ear protection.

⚠ WARNING: The noise emission during actual use of the power tool can differ from the declared value(s) depending on the ways in which the tool is used especially what kind of workpiece is processed.

⚠ WARNING: Be sure to identify safety measures to protect the operator that are based on an estimation of exposure in the actual conditions of use (taking account of all parts of the operating cycle such as the times when the tool is switched off and when it is running idle in addition to the trigger time).

Vibration

The vibration total value (tri-axial vector sum) determined according to EN62841:

- Work mode : sanding metal plate
- Vibration emission (a_{r1}) : 3.5 m/s²
- Uncertainty (K) : 1.5 m/s²

NOTE: The declared vibration total value(s) has been measured in accordance with a standard test method and may be used for comparing one tool with another.

NOTE: The declared vibration total value(s) may also be used in a preliminary assessment of exposure.

⚠ WARNING: The vibration emission during actual use of the power tool can differ from the declared value(s) depending on the ways in which the tool is used especially what kind of workpiece is processed.

⚠ WARNING: Be sure to identify safety measures to protect the operator that are based on an estimation of exposure in the actual conditions of use (taking account of all parts of the operating cycle such as the times when the tool is switched off and when it is running idle in addition to the trigger time).

EC Declaration of Conformity

For European countries only

The EC declaration of conformity is included as Annex A to this instruction manual.

General power tool safety warnings

⚠ WARNING: Read all safety warnings, instructions, illustrations and specifications provided with this power tool. Failure to follow all instructions listed below may result in electric shock, fire and/or serious injury.

Save all warnings and instructions for future reference.

The term "power tool" in the warnings refers to your mains-operated (corded) power tool or battery-operated (cordless) power tool.

Work area safety

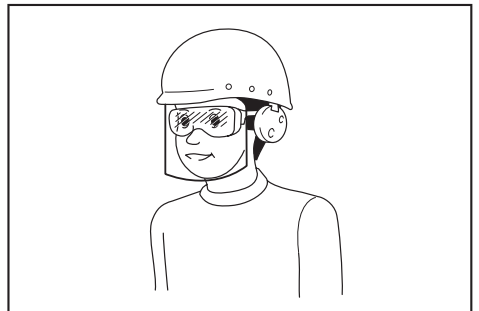
1. **Keep work area clean and well lit.** Cluttered or dark areas invite accidents.
2. **Do not operate power tools in explosive atmospheres, such as in the presence of flammable liquids, gases or dust.** Power tools create sparks which may ignite the dust or fumes.
3. **Keep children and bystanders away while operating a power tool.** Distractions can cause you to lose control.

Electrical safety

1. **Power tool plugs must match the outlet. Never modify the plug in any way. Do not use any adapter plugs with earthed (grounded) power tools.** Unmodified plugs and matching outlets will reduce risk of electric shock.
2. **Avoid body contact with earthed or grounded surfaces, such as pipes, radiators, ranges and refrigerators.** There is an increased risk of electric shock if your body is earthed or grounded.
3. **Do not expose power tools to rain or wet conditions.** Water entering a power tool will increase the risk of electric shock.
4. **Do not abuse the cord. Never use the cord for carrying, pulling or unplugging the power tool. Keep cord away from heat, oil, sharp edges or moving parts.** Damaged or entangled cords increase the risk of electric shock.
5. **When operating a power tool outdoors, use an extension cord suitable for outdoor use.** Use of a cord suitable for outdoor use reduces the risk of electric shock.
6. **If operating a power tool in a damp location is unavoidable, use a residual current device (RCD) protected supply.** Use of an RCD reduces the risk of electric shock.
7. **Use of power supply via an RCD with a rated residual current of 30 mA or less is always recommended.**
8. **Power tools can produce electromagnetic fields (EMF) that are not harmful to the user.** However, users of pacemakers and other similar medical devices should contact the maker of their device and/or doctor for advice before operating this power tool.
9. **Do not touch the power plug with wet hands.**
10. **If the cord is damaged, have it replaced by the manufacturer or his agent in order to avoid a safety hazard.**

Personal safety

1. **Stay alert, watch what you are doing and use common sense when operating a power tool. Do not use a power tool while you are tired or under the influence of drugs, alcohol or medication.** A moment of inattention while operating power tools may result in serious personal injury.
2. **Use personal protective equipment. Always wear eye protection.** Protective equipment such as a dust mask, non-skid safety shoes, hard hat or hearing protection used for appropriate conditions will reduce personal injuries.
3. **Prevent unintentional starting. Ensure the switch is in the off-position before connecting to power source and/or battery pack, picking up or carrying the tool.** Carrying power tools with your finger on the switch or energising power tools that have the switch on invites accidents.
4. **Remove any adjusting key or wrench before turning the power tool on.** A wrench or a key left attached to a rotating part of the power tool may result in personal injury.
5. **Do not overreach. Keep proper footing and balance at all times.** This enables better control of the power tool in unexpected situations.
6. **Dress properly. Do not wear loose clothing or jewellery. Keep your hair and clothing away from moving parts.** Loose clothes, jewellery or long hair can be caught in moving parts.
7. **If devices are provided for the connection of dust extraction and collection facilities, ensure these are connected and properly used.** Use of dust collection can reduce dust-related hazards.
8. **Do not let familiarity gained from frequent use of tools allow you to become complacent and ignore tool safety principles.** A careless action can cause severe injury within a fraction of a second.
9. **Always wear protective goggles to protect your eyes from injury when using power tools. The goggles must comply with ANSI Z87.1 in the USA, EN 166 in Europe, or AS/NZS 1336 in Australia/New Zealand. In Australia/New Zealand, it is legally required to wear a face shield to protect your face, too.**



It is an employer's responsibility to enforce the use of appropriate safety protective equipments by the tool operators and by other persons in the immediate working area.

Power tool use and care

1. **Do not force the power tool. Use the correct power tool for your application.** The correct power tool will do the job better and safer at the rate for which it was designed.
2. **Do not use the power tool if the switch does not turn it on and off.** Any power tool that cannot be controlled with the switch is dangerous and must be repaired.
3. **Disconnect the plug from the power source and/or remove the battery pack, if detachable, from the power tool before making any adjustments, changing accessories, or storing power tools.** Such preventive safety measures reduce the risk of starting the power tool accidentally.
4. **Store idle power tools out of the reach of children and do not allow persons unfamiliar with the power tool or these instructions to operate the power tool.** Power tools are dangerous in the hands of untrained users.
5. **Maintain power tools and accessories. Check for misalignment or binding of moving parts, breakage of parts and any other condition that may affect the power tool's operation. If damaged, have the power tool repaired before use.** Many accidents are caused by poorly maintained power tools.
6. **Keep cutting tools sharp and clean.** Properly maintained cutting tools with sharp cutting edges are less likely to bind and are easier to control.
7. **Use the power tool, accessories and tool bits etc. in accordance with these instructions, taking into account the working conditions and the work to be performed.** Use of the power tool for operations different from those intended could result in a hazardous situation.
8. **Keep handles and grasping surfaces dry, clean and free from oil and grease.** Slippery handles and grasping surfaces do not allow for safe handling and control of the tool in unexpected situations.
9. **When using the tool, do not wear cloth work gloves which may be entangled.** The entanglement of cloth work gloves in the moving parts may result in personal injury.

Service

1. **Have your power tool serviced by a qualified repair person using only identical replacement parts.** This will ensure that the safety of the power tool is maintained.
2. **Follow instruction for lubricating and changing accessories.**

SANDER SAFETY WARNINGS

1. **Always use safety glasses or goggles. Ordinary eye or sun glasses are NOT safety glasses.**
2. **Hold the tool firmly.**
3. **Do not leave the tool running. Operate the tool only when hand-held.**
4. **This tool has not been waterproofed, so do not use water on the workpiece surface.**
5. **Ventilate your work area adequately when you perform sanding operations.**

6. **Some material contains chemicals which may be toxic. Take caution to prevent dust inhalation and skin contact. Follow material supplier safety data.**
7. **Use of this tool to sand some products, paints and wood could expose user to dust containing hazardous substances. Use appropriate respiratory protection.**
8. **Be sure that there are no cracks or breakage on the pad before use. Cracks or breakage may cause a personal injury.**

SAVE THESE INSTRUCTIONS.

⚠WARNING: DO NOT let comfort or familiarity with product (gained from repeated use) replace strict adherence to safety rules for the subject product. **MISUSE** or failure to follow the safety rules stated in this instruction manual may cause serious personal injury.

FUNCTIONAL DESCRIPTION

⚠CAUTION:

- Always be sure that the tool is switched off and unplugged before adjusting or checking function on the tool.

Switch action

► Fig.1: 1. Lock button 2. Switch trigger

⚠CAUTION:

- Before plugging in the tool, always check to see that the switch trigger actuates properly and returns to the "OFF" position when released.
- Switch can be locked in "ON" position for ease of operator comfort during extended use. Apply caution when locking tool in "ON" position and maintain firm grasp on tool.

To start the tool, simply pull the switch trigger. Release the switch trigger to stop.

For continuous operation, pull the switch trigger and push in the lock button and then release the switch trigger.

To stop the tool from the locked position, pull the switch trigger fully, then release it.

Speed adjusting dial

For Model BO5041

► Fig.2: 1. Speed adjusting dial

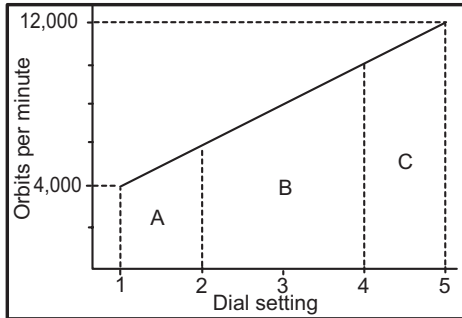
The tool speed can be infinitely adjusted between 4,000 and 12,000 orbit per minute by turning the adjusting dial. Higher speed is obtained when the dial is turned in the direction of number 5; lower speed is obtained when it is turned in the direction of number 1.

Refer to the figure for the relationship between the number settings on the adjusting dial and the kind of work.

A range: For polishing

B range: For finish sanding

C range: For regular sanding



NOTE:

- The figure shows standard applications. They may differ under certain conditions.

ASSEMBLY

CAUTION:

- Always be sure that the tool is switched off and unplugged before carrying out any work on the tool.

How to use the front grip

► **Fig.3**

The front grip can be loosened and moved horizontally to a desired working position. Once the front grip is in the desired position, retighten before using.

Installing or removing the front grip

► **Fig.4:** 1. Screw 2. Front grip

Open the grip base, and attach it to the sander in the area of the Makita logo.

► **Fig.5:** 1. Grip base 2. Makita logo

After closing the grip base, firmly tighten on the front grip to the screw section of the grip base.

► **Fig.6**

To remove, loosen and remove front grip, and then remove grip base.

Installing or removing abrasive disc

► **Fig.7**

To install the abrasive disc, first remove all dirt or foreign matter from the pad. Then peel off the backing paper from the abrasive disc and attach the abrasive disc to the pad. Be careful to align the holes in the abrasive disc with those in the pad.

CAUTION:

- If you peel off the abrasive disc from the pad, its adhesion will become poor. Never attempt to stick it onto the pad for further use.

Installing dust bag

► **Fig.8:** 1. Dust bag

Install the dust bag on the tool so that the Makita logo on the dust bag will be upright (not upside down).

Emptying dust bag

► **Fig.9:** 1. Dust nozzle

When the dust bag is about half full, switch off and unplug the tool. Remove the dust bag from the tool. Then remove the dust nozzle from the dust bag after unlocking the dust nozzle by turning it slightly counter-clockwise. Empty the dust bag by tapping it lightly.

► **Fig.10:** 1. Dust nozzle

After emptying the dust bag, install the dust nozzle on the dust bag. Turn the dust nozzle slightly clockwise to lock it in place. Then install the dust bag on the tool as described in "Installing dust bag".

Installing paper dust bag

► **Fig.11:** 1. Groove 2. Front fixing cardboard 3. Front side of paper dust bag

Place the paper dust bag on the paper dust bag holder with its front side upward. Insert the front fixing cardboard of the paper dust bag into the groove of the paper dust bag holder.

► **Fig.12:** 1. Claws 2. Upper part

Then press the upper part of the front fixing cardboard in arrow direction to hook it onto the claws.

► **Fig.13:** 1. Notch 2. Guide

► **Fig.14**

Insert the notch of the paper dust bag into the guide of the paper dust bag holder. Then install the paper dust bag holder set on the tool.

Installing paper filter bag

► **Fig.15:** 1. Holding tab

Make sure that the logo on the cardboard lip and the logo on the dust box are on the same side, then install the paper filter bag by fitting the cardboard lip in the groove of each holding tab.

► **Fig.16:** 1. Dust box 2. Dust nozzle

Make sure that the logo on the cardboard lip and the logo on the dust nozzle are on the same side, then install the dust nozzle on the dust box.

Removing dust box and paper filter bag

► **Fig.17:** 1. Latch 2. Dust nozzle

Remove the dust nozzle by pushing the two latches.

► **Fig.18**

Remove the paper filter bag first by pinching the logo side of its cardboard lip, then by pulling the cardboard lip downwards to move it out of the holding tab of the dust box.

OPERATION

⚠ CAUTION:

- Always use the front grip and firmly hold the tool by front grip and switch handle during operations.

Sanding operation

► Fig.19

⚠ CAUTION:

- Never run the tool without the abrasive disc. You may seriously damage the pad.
- Never force the tool. Excessive pressure may decrease the sanding efficiency, damage the abrasive disc or shorten tool life.
- Using the tool with the pad edge contacting the workpiece may damage the pad.

Hold the tool firmly. Turn the tool on and wait until it attains full speed. Then gently place the tool on the workpiece surface. Keep the pad flush with the workpiece and apply slight pressure on the tool.

⚠ CAUTION:

- The sanding pad rotates clockwise during the loaded operation, but it may rotate counterclockwise during the no-load operation.

Polishing operation

For Model BO5041

⚠ CAUTION:

- Use only a Makita genuine sponge pad, felt pad or wool pad (optional accessories).
- Always operate the tool at low speed to prevent work surfaces from heating abnormally.
- Never force the tool. Excessive pressure may decrease the polishing efficiency and cause motor overload, resulting in tool malfunction.

1. Applying wax

► Fig.20: 1. Sponge pad

Use an optional sponge pad. Apply wax to the sponge pad or work surface. Run the tool at low speed to smooth out wax.

NOTE:

- First, wax a not conspicuous portion of the work surface to make sure that the tool will not scratch the surface or result in uneven waxing.
- Always run the tool at low speed. Running it at high speed may cause the wax to spatter.

2. Removing wax

► Fig.21: 1. Felt pad

Use an optional felt pad. Run the tool at low speed to remove wax.

3. Polishing

► Fig.22: 1. Wool bonnet

Use an optional wool pad. Run the tool at low speed and apply the wool pad gently to the work surface.

MAINTENANCE

⚠ CAUTION:

- Always be sure that the tool is switched off and unplugged before attempting to perform inspection or maintenance.
- Never use gasoline, benzene, thinner, alcohol or the like. Discoloration, deformation or cracks may result.

To maintain product SAFETY and RELIABILITY, repairs, carbon brush inspection and replacement, any other maintenance or adjustment should be performed by Makita Authorized Service Centers, always using Makita replacement parts.

OPTIONAL ACCESSORIES

⚠ CAUTION:

- These accessories or attachments are recommended for use with your Makita tool specified in this manual. The use of any other accessories or attachments might present a risk of injury to persons. Only use accessory or attachment for its stated purpose.

If you need any assistance for more details regarding these accessories, ask your local Makita Service Center.

- Hook-and-loop type abrasive discs (with pre-punched holes)
- Hook-and-loop type sponge pad
- Paper dust bag holder
(For BO5041 only)
- Hook-and-loop type felt pad
- Hook-and-loop type wool pad
- Paper dust bag

NOTE:

- Some items in the list may be included in the tool package as standard accessories. They may differ from country to country.

ТЕХНИЧЕСКИЕ ХАРАКТЕРИСТИКИ

Модель	BO5040	BO5041
Размер бумаги	125 мм	125 мм
Колебаний в минуту (мин ⁻¹)	12 000	4 000 - 12 000
Размеры (Д x Ш x В)	218 мм x 123 мм x 153 мм	218 мм x 123 мм x 153 мм
Вес нетто	1,4 кг	1,4 кг
Класс безопасности	Ⓜ/II	Ⓜ/II

- Благодаря нашей постоянно действующей программе исследований и разработок указанные здесь технические характеристики могут быть изменены без предварительного уведомления.
- Технические характеристики могут различаться в зависимости от страны.
- Масса в соответствии с процедурой EPTA 01/2014

Символы

Ниже приведены символы, используемые для электроинструмента. Перед использованием убедитесь, что вы понимаете их значение.



Прочитайте руководство пользователя.



ДВОЙНАЯ ИЗОЛЯЦИЯ



Только для стран ЕС
Не утилизируйте данный электроинструмент вместе с бытовыми отходами!
В рамках соблюдения Европейской Директивы по утилизации электрического и электронного оборудования и ее применения в соответствии с национальным законодательством, электрооборудование в конце срока своей службы должно утилизироваться отдельно и передаваться для его утилизации на предприятие, соответствующее применяемым правилам охраны окружающей среды.

Назначение

Инструмент предназначен для шлифовки больших поверхностей из древесины, пластмассы и металлических материалов, а также окрашенных поверхностей.

Питание

Подключайте данный инструмент только к тому источнику питания, напряжение которого соответствует напряжению, указанному на паспортной табличке. Инструмент предназначен для работы от источника однофазного переменного тока. Он имеет двойную изоляцию и поэтому может подключаться к розеткам без заземления.

Шум

Типичный уровень взвешенного звукового давления (A), измеренный в соответствии с EN62841:

Уровень звукового давления (L_{pA}): 81 дБ (A)

Уровень звуковой мощности (L_{wA}): 92 дБ (A)

Погрешность (K): 3 дБ (A)

ПРИМЕЧАНИЕ: Заявленное значение распространения шума измерено в соответствии со стандартной методикой испытаний и может быть использовано для сравнения инструментов.

ПРИМЕЧАНИЕ: Заявленное значение распространения шума можно также использовать для предварительных оценок воздействия.

⚠ОСТОРОЖНО: Используйте средства защиты слуха.

⚠ОСТОРОЖНО: Распространение шума во время фактического использования электроинструмента может отличаться от заявленного значения в зависимости от способа применения инструмента и в особенности от типа обрабатываемой детали.

⚠ОСТОРОЖНО: Обязательно определите меры безопасности для защиты оператора, основанные на оценке воздействия в реальных условиях использования (с учетом всех этапов рабочего цикла, таких как выключение инструмента, работа без нагрузки и включение).

Вибрация

Суммарное значение вибрации (сумма векторов по трем осям) определяется по следующим параметрам EN62841:

Рабочий режим: шлифовка металлических пластин

Распространение вибрации ($a_{h\alpha}$): 3,5 м/с²

Погрешность (K): 1,5 м/с²

ПРИМЕЧАНИЕ: Заявленное общее значение распространения вибрации измерено в соответствии со стандартной методикой испытаний и может быть использовано для сравнения инструментов.

ПРИМЕЧАНИЕ: Заявленное общее значение распространения вибрации можно также использовать для предварительных оценок воздействия.

⚠ОСТОРОЖНО: Распространение вибрации во время фактического использования электроинструмента может отличаться от заявленного значения в зависимости от способа применения инструмента и в особенности от типа обрабатываемой детали.

⚠ОСТОРОЖНО: Обязательно определите меры безопасности для защиты оператора, основанные на оценке воздействия в реальных условиях использования (с учетом всех этапов рабочего цикла, таких как выключение инструмента, работа без нагрузки и включение).

Декларация о соответствии ЕС

Только для европейских стран

Декларация о соответствии ЕС включена в руководство по эксплуатации (Приложение А).

Общие рекомендации по технике безопасности для электроинструментов

⚠ОСТОРОЖНО: Ознакомьтесь со всеми представленными инструкциями по технике безопасности, указаниями, иллюстрациями и техническими характеристиками, прилагаемыми к данному электроинструменту. Несоблюдение каких-либо инструкций, указанных ниже, может привести к поражению электрическим током, пожару и/или серьезной травме.

Сохраните брошюру с инструкциями и рекомендациями для дальнейшего использования.

Термин "электроинструмент" в предупреждениях относится ко всему инструменту, работающему от сети (с проводом) или на аккумуляторах (без провода).

Безопасность в месте выполнения работ

1. Рабочее место должно быть чистым и хорошо освещенным. Захламление и плохое освещение могут стать причиной несчастных случаев.
2. Не пользуйтесь электроинструментом во взрывоопасной атмосфере, например в присутствии легко воспламеняющихся жидкостей, газов или пыли. При работе электроинструмента возникают искры, которые могут привести к воспламенению пыли или газов.
3. При работе с электроинструментом не допускайте детей или посторонних к месту выполнения работ. Не отвлекайтесь во время работы, так как это приведет к потере контроля над электроинструментом.

Электробезопасность

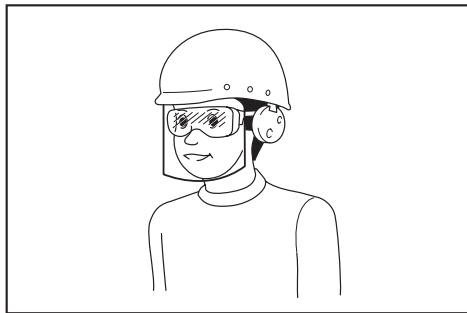
1. Вилка электроинструмента должна соответствовать сетевой розетке. Запрещается вносить какие-либо изменения в конструкцию вилки. Для электроинструмента с заземлением запрещается использовать переходники. Розетки и вилки, не подвергавшиеся изменениям, снижают риск поражения электрическим током.

2. Избегайте контакта участков тела с заземленными поверхностями, такими как трубы, радиаторы, батареи отопления и холодильники. При контакте тела с заземленными предметами увеличивается риск поражения электрическим током.
3. Не подвергайте электроинструмент воздействию дождя или влаги. Попадание воды в электроинструмент повышает риск поражения электрическим током.
4. Аккуратно обращайтесь со шнуром питания. Запрещается использовать шнур питания для переноски, перемещения или извлечения вилки из розетки. Располагайте шнур на расстоянии от источников тепла, масла, острых краев и движущихся деталей. Поврежденные или запутанные сетевые шнуры увеличивают риск поражения электрическим током.
5. При использовании электроинструмента вне помещения используйте удлинитель, подходящий для этих целей. Использование соответствующего шнура снижает риск поражения электрическим током.
6. Если электроинструмент приходится эксплуатировать в сыром месте, используйте линию электропитания, которая защищена устройством, срабатывающим от остаточного тока (RCD). Использование RCD снижает риск поражения электротоком.
7. Рекомендуется использовать питание через RCD с номинальным остаточным током 30 мА или менее.
8. Электроинструмент может создавать электромагнитные поля (EMF), которые не представляют опасности для пользователя. Однако пользователям с кардиостимуляторами и другими аналогичными медицинскими устройствами следует обратиться к производителю устройства и/или врачу перед началом эксплуатации инструмента.
9. Не прикасайтесь к разъему электропитания мокрыми руками.
10. Во избежание угрозы безопасности, в случае повреждения кабеля его необходимо заменить в мастерской изготовителя.

Личная безопасность

1. При использовании электроинструмента будьте бдительны, следите за тем, что вы делаете, и руководствуйтесь здравым смыслом. Не пользуйтесь электроинструментом, если вы устали, находитесь под воздействием наркотиков, алкоголя или лекарственных препаратов. Даже мгновенная невнимательность при использовании электроинструмента может привести к серьезной травме.
2. Используйте индивидуальные средства защиты. Всегда надевайте защитные очки. Такие средства индивидуальной защиты, как маска от пыли, защитная нескользящая обувь, каска или наушники, используемые в соответствующих условиях, позволяют снизить риск получения травмы.

3. Не допускайте случайного запуска. Прежде чем подсоединять инструмент к источнику питания и/или аккумуляторной батарее, поднимать или переносить инструмент, убедитесь, что переключатель находится в выключенном положении. Переноска электроинструмента с пальцем на выключателе или подача питания на инструмент с включенным выключателем может привести к несчастному случаю.
4. Перед включением электроинструмента снимите с него все регулировочные инструменты и гаечные ключи. Гаечный или регулировочный ключ, оставшийся закрепленным на вращающейся детали, может привести к травме.
5. При эксплуатации устройства не тянитесь. Всегда сохраняйте устойчивое положение и равновесие. Это позволит лучше управлять электроинструментом в непредвиденных ситуациях.
6. Одевайтесь соответствующим образом. Не надевайте свободную одежду или украшения. Ваши волосы и одежда должны всегда находиться на расстоянии от движущихся деталей. Свободная одежда, украшения или длинные волосы могут попасть в движущиеся детали устройства.
7. Если электроинструмент оборудован системой удаления и сбора пыли, убедитесь, что она подключена и используется соответствующим образом. Использование пылесборника снижает вероятность возникновения рисков, связанных с пылью.
8. Не переоценивайте свои возможности и не пренебрегайте правилами техники безопасности, даже если вы часто работаете с инструментом. Небрежное обращение с инструментом может стать причиной серьезной травмы за доли секунды.
9. Во время работы с электроинструментом всегда надевайте защитные очки. Очки должны соответствовать ANSI Z87.1 для США, EN 166 для Европы, или AS/NZS 1336 для Австралии и Новой Зеландии. В Австралии и Новой Зеландии оператор также обязан носить защитную маску.



Ответственность за использование средств защиты операторами и другим персоналом вблизи рабочей зоны возлагается на работодателя.

Эксплуатация и обслуживание электроинструмента

1. Не прилагайте излишних усилий к электроинструменту. Используйте инструмент, соответствующий выполняемой вами работе. Правильно подобранный электроинструмент позволит выполнить работу лучше и безопаснее с производительностью, на которую он рассчитан.
2. Не пользуйтесь электроинструментом с неисправным выключателем. Любой электроинструмент с неисправным выключателем опасен и должен быть отремонтирован.
3. Перед выполнением регулировок, сменой принадлежностей или хранением электроинструмента всегда отключайте его от источника питания и/или от аккумулятора или снимайте аккумулятор, если он является съемным. Такие превентивные меры предосторожности снижают риск случайного включения электроинструмента.
4. Храните электроинструменты в местах, недоступных для детей, и не позволяйте лицам, не знакомым с работой этого инструмента или не прочитавшим данные инструкции, пользоваться им. Электроинструмент опасен в руках неопытных пользователей.
5. Поддерживайте электроинструмент и дополнительные принадлежности в надлежащем состоянии. Убедитесь в соосности, отсутствии деформаций движущихся узлов, поломок каких-либо деталей или других дефектов, которые могут повлиять на работу электроинструмента. Если инструмент поврежден, отремонтируйте его перед использованием. Большое число несчастных случаев происходит из-за плохого ухода за электроинструментом.
6. Режущий инструмент всегда должен быть острым и чистым. Соответствующее обращение с режущим инструментом, имеющим острые режущие кромки, делает его менее подверженным деформациям, что позволяет лучше управлять им.
7. Используйте электроинструмент, принадлежности, приспособления и насадки в соответствии с данными инструкциями и в целях, для которых он предназначен, учитывая при этом условия и вид выполняемой работы. Использование электроинструмента не по назначению может привести к возникновению опасной ситуации.
8. Рукоятки инструмента и специальные изолированные поверхности всегда должны быть сухими и чистыми и не содержать следов масла или смазки. Скользкие рукоятки и специальные поверхности препятствуют соблюдению рекомендаций по технике безопасности в экстренных ситуациях.
9. При использовании инструмента не надевайте рабочие перчатки, ткань которых инструмент может затянуть. Затягивание ткани рабочих перчаток в движущиеся части инструмента может привести к травме.

Сервисное обслуживание

1. Сервисное обслуживание электроинструмента должно проводиться только квалифицированным специалистом по ремонту и только с использованием идентичных запасных частей. Это позволит обеспечить безопасность электроинструмента.
2. Следуйте инструкциям по смазке и замене принадлежностей.

МЕРЫ БЕЗОПАСНОСТИ ПРИ ИСПОЛЬЗОВАНИИ ШЛИФОВАЛЬНОГО УСТРОЙСТВА

1. Всегда надевайте защитные очки или защитную маску для лица. Обычные или солнцезащитные очки НЕ ЯВЛЯЮТСЯ защитными очками.
2. Крепко держите инструмент.
3. Не оставляйте работающий инструмент без присмотра. Включайте инструмент только тогда, когда он находится в руках.
4. Данный инструмент не является водонепроницаемым, поэтому не следует использовать воду на поверхности обрабатываемой детали.
5. При выполнении шлифовки обеспечьте хорошую вентиляцию места работ.
6. Некоторые материалы могут содержать токсичные химические вещества. Примите соответствующие меры предосторожности, чтобы избежать вдыхания или контакта с кожей таких веществ. Соблюдайте требования, указанные в паспорте безопасности материала.
7. Использование данного инструмента для шлифовки некоторых материалов, краски и древесины может привести к воздействию на пользователя пыли, содержащей опасные вещества. Используйте соответствующие средства защиты дыхания.
8. Перед использованием убедитесь, в отсутствии трещин или разломов в платформе. Трещины или разломы могут привести к травме.

СОХРАНИТЕ ДАННЫЕ ИНСТРУКЦИИ.

▲ОСТОРОЖНО: НЕ ДОПУСКАЙТЕ, чтобы удобство или опыт эксплуатации данного устройства (полученный от многократного использования) доминировали над строгим соблюдением правил техники безопасности при обращении с этим устройством. **НЕПРАВИЛЬНОЕ ИСПОЛЬЗОВАНИЕ** инструмента или несоблюдение правил техники безопасности, указанных в данном руководстве, может привести к тяжелой травме.

ОПИСАНИЕ ФУНКЦИОНИРОВАНИЯ

▲ВНИМАНИЕ:

- Перед проведением регулировки или проверки работы инструмента всегда проверяйте, что инструмент выключен, а шнур питания вынут из розетки.

Действие выключателя

► **Рис.1:** 1. Кнопка блокировки 2. Курковый выключатель

▲ВНИМАНИЕ:

- Перед включением инструмента в розетку, всегда проверяйте, что триггерный переключатель работает надлежащим образом и возвращается в положение "ВЫКЛ", если его отпустить.
- Переключатель можно заблокировать в положении "ВКЛ" для удобства оператора при продолжительном использовании. Будьте осторожны при блокировке инструмента в положении "ВКЛ" и продолжайте крепко удерживать инструмент.

Для включения инструмента достаточно просто нажать курковый выключатель. Для остановки инструмента отпустите курковый выключатель. Для непрерывной работы инструмента нажмите на курковый выключатель, затем нажмите кнопку блокировки и отпустите курковый выключатель. Для отключения заблокированного положения выключателя до конца нажмите на курковый выключатель, а затем отпустите его.

Диск регулировки скорости

Для модели **BO5041**

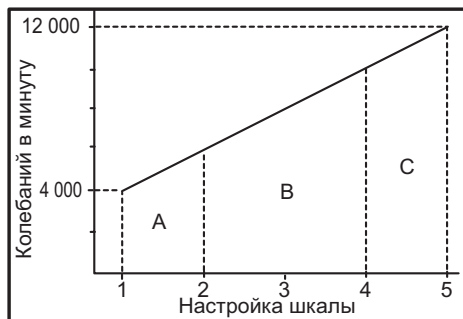
► **Рис.2:** 1. Поворотный регулятор скорости

Скорость инструмента можно плавно регулировать в пределах от 4 000 до 12 000 ходов в минуту путем поворота диска регулировки. Более высокая скорость достигается, когда диск повернут по направлению к цифре 5; более низкая скорость достигается путем перемещения диска к цифре 1. См. рисунок для информации о соотношении цифрового значения на диске регулировки с типом работы.

Диапазон А: полировка

Диапазон В: окончательная зачистка шлифовальной шкуркой

Диапазон С: стандартная зачистка шлифовальной шкуркой



ПРИМЕЧАНИЕ:

- На рисунке показаны стандартные примеры применения. При определенных условиях они могут отличаться.

МОНТАЖ

ВНИМАНИЕ:

- Перед проведением каких-либо работ с инструментом всегда проверяйте, что инструмент выключен, а шнур питания вынут из розетки.

Как пользоваться передней рукояткой

► Рис.3

Переднюю рукоятку можно ослабить и переместить по горизонтали в удобное положение. Установив переднюю рукоятку в нужное положение, затяните ее перед началом работы.

Установка и снятие передней рукоятки

► Рис.4: 1. Винт 2. Передняя рукоятка

Откройте основание рукоятки и прикрепите ее к инструменту в области логотипа Makita.

► Рис.5: 1. Основа рукоятки 2. Логотип Makita

Закрыв основание рукоятки, надежно затяните ее с помощью резьбового соединения в основании.

► Рис.6

Для снятия ослабьте и снимите переднюю рукоятку, затем снимите основание рукоятки.

Установка или снятие абразивного диска

► Рис.7

Для установки абразивного диска сначала очистите опорную пластину от всех загрязнений. Затем снимите защитную бумагу с абразивного диска и прикрепите абразивный диск к опорной пластине. Обязательно совместите отверстия в абразивном диске с отверстиями в опорной пластине.

ВНИМАНИЕ:

- Если Вы снимете абразивный диск с опорной пластины, его сцепление ухудшится. Никогда не пытайтесь прикрепить его к опорной пластине для последующего использования.

Установка мешка для пыли

► Рис.8: 1. Мешок для пыли

Установите пылесборный мешок на инструмент так, чтобы логотип Makita на мешке был расположен сверху (не перевернут).

Очистка мешка для пыли

► Рис.9: 1. Пылесборный патрубков

Когда мешок для пыли будет наполовину заполнен, отключите инструмент и выньте штекер из розетки питания. Снимите мешок для пыли с инструмента. Затем снимите пылесборный патрубок с мешка для пыли, слегка повернув его против часовой стрелки для разблокировки. Очистите мешок для пыли, слегка постучав по нему.

► Рис.10: 1. Пылесборный патрубков

После очистки мешка для пыли установите пылесборный патрубок на мешок для пыли. Немного поверните пылесборный патрубок по часовой стрелке, чтобы зафиксировать его на месте. Затем установите мешок для пыли согласно разделу "Установка мешка для пыли".

Установка мешка для бумажной пыли

► Рис.11: 1. Паз 2. Передний фиксирующий картон 3. Передняя часть бумажного мешка для пыли

Вставьте мешок для бумажной пыли в держатель мешка для бумажной пыли передней стороной вверх. Вставьте передний фиксирующий картон мешка для бумажной пыли в выемку держателя мешка для бумажной пыли.

► Рис.12: 1. Захваты 2. Верхняя часть

Затем надавите на верхнюю часть переднего фиксирующего картона в направлении стрелки, чтобы надеть его на захваты.

► Рис.13: 1. Выемка 2. Направляющая

► Рис.14

Вставьте выемку мешка для бумажной пыли в направляющую держателя мешка для бумажной пыли. Затем установите держатель мешка для бумажной пыли на инструмент.

Установка бумажного фильтра

► Рис.15: 1. Фиксатор

Убедитесь, что логотип на картонном выступе и логотип на пылесборном мешке находятся с одной стороны, затем установите бумажный фильтр так, чтобы картонный выступ вошел в пазы на фиксаторах.

► Рис.16: 1. Пылесборный блок 2. Пылесборный патрубков

Убедитесь, что логотип на картонном выступе и на отверстиях пылесборной насадки находятся с одной стороны, затем установите пылесборную насадку на пылесборный мешок.

Снятие пылесборного мешка и бумажного фильтра.

► Рис.17: 1. Защелка 2. Пылесборный патрубков

Снимите пылесборный мешок, нажав на две защелки.

► Рис.18

Снимите бумажный фильтр, сначала нажав со стороны картонного выступа, затем потянув выступ книзу, чтобы отсоединить от фиксатора пылесборного мешка.

ЭКСПЛУАТАЦИЯ

⚠ ВНИМАНИЕ:

- Всегда используйте переднюю рукоятку, во время работы крепко держите инструмент за переднюю рукоятку и рукоятку с выключателем.

Шлифование

► Рис.19

⚠ ВНИМАНИЕ:

- Никогда не включайте инструмент без абразивного диска. Вы можете серьезно повредить площадку.
- Никогда не прилагайте к инструменту усилий. Чрезмерное давление может снизить эффективность шлифовки, повредить абразивный диск или сократить срок службы инструмента.
- Контакт края шлифовальной пластины с обрабатываемой деталью может привести к повреждению пластины.

Крепко держите инструмент. Включите инструмент и подождите, пока он наберет полную скорость. После этого мягко коснитесь инструментом поверхности обрабатываемой детали. Держите опорную пластину заподлицо с обрабатываемой деталью и приложите небольшое давление к инструменту.

⚠ ВНИМАНИЕ:

- Шлифовальная подушка вращается по часовой стрелке при работе под нагрузкой, но при работе без нагрузки она может вращаться против часовой стрелки.

Операция полирования

Для модели BO5041

⚠ ВНИМАНИЕ:

- Пользуйтесь только оригинальной губчатой, войлочной или шерстяной опорной пластиной Makita (дополнительные принадлежности).
- Всегда работайте с инструментом на низкой скорости для предотвращения ненормального нагрева обрабатываемых поверхностей.
- Никогда не прилагайте к инструменту усилий. Чрезмерное давление может снизить эффективность полировки и привести к перегреву двигателя, в результате чего инструмент может испортиться.

1. Нанесение воска

► Рис.20: 1. Губчатая подушка

Используйте дополнительную губчатую опорную пластину. Нанесите воск на губчатую пластину или обрабатываемую поверхность. Включите инструмент на низкой скорости для разглаживания воска.

ПРИМЕЧАНИЕ:

- Сначала обработайте незаметную часть обрабатываемой поверхности, чтобы убедиться, что инструмент не поцарапает поверхность или не приведет к неравномерному нанесению воска.
- Всегда работайте с инструментом на небольшой скорости. Работа на высокой скорости может привести к разбрызгиванию воска.

2. Удаление воска

► Рис.21: 1. Войлочная подушка

Используйте дополнительную войлочную опорную пластину. Включите инструмент на низкой скорости для удаления воска.

3. Полировка

► Рис.22: 1. Шерстяной чехол

Используйте дополнительную шерстяную опорную пластину. Включите инструмент на низкой скорости, и осторожно прикладывайте шерстяную опорную пластину к обрабатываемой поверхности.

ТЕХОБСЛУЖИВАНИЕ

⚠ ВНИМАНИЕ:

- Перед проверкой или проведением техобслуживания убедитесь, что инструмент выключен, а штекер отсоединен от розетки.
- Запрещается использовать бензин, лигроин, растворитель, спирт и т.п. Это может привести к изменению цвета, деформации и появлению трещин.

Для обеспечения БЕЗОПАСНОСТИ и НАДЕЖНОСТИ изделия ремонт, проверка и замена угольных щеток и любые другие работы по техобслуживанию или регулировке должны осуществляться в уполномоченных сервис-центрах Makita с использованием запасных частей только производства компании Makita.

ДОПОЛНИТЕЛЬНЫЕ ПРИНАДЛЕЖНОСТИ

⚠ ВНИМАНИЕ:

- Эти принадлежности или насадки рекомендуются использовать вместе с вашим инструментом Makita, описанным в данном руководстве. Использование каких-либо других принадлежностей или насадок может представлять опасность получения травм. Используйте принадлежность или насадку только по указанному назначению.

Если вам необходимо содействие в получении дополнительной информации по этим принадлежностям, свяжитесь со своим местным сервис-центром Makita.

- Абразивные диски с креплением типа «липучка» (с предварительной перфорацией)
- Губчатая опорная пластина с креплением типа «липучка»
- Держатель мешка для бумажной пыли (Только для VO5041)
- Войлочная опорная пластина с креплением типа «липучка»
- Шерстяная опорная пластина с креплением типа «липучка»
- Мешок для бумажной пыли

ПРИМЕЧАНИЕ:

- Некоторые элементы списка могут входить в комплект инструмента в качестве стандартных приспособлений. Они могут отличаться в зависимости от страны.

ТЕХНИКАЛЫҚ СИПАТТАМАЛАРЫ

Үлгісі	BO5040	BO5041
Қағаз өлшемі	125 мм	125 мм
Бір минуттағы айналымдар саны (мин ⁻¹)	12 000	4 000 - 12 000
Өлшемдері (Ұ x Е x Б)	218 мм x 123 мм x 153 мм	218 мм x 123 мм x 153 мм
Таза салмағы	1,4 кг	1,4 кг
Қауіпсіздік класы	II	II

- Зерттеу мен әзірлеудің үздіксіз бағдарламасына байланысты осы құжаттағы техникалық сипаттамалар ескертусіз өзгертілуі мүмкін.
- Техникалық сипаттамалары әр елде әр түрлі болуы мүмкін.
- Салмағы EPTA-Procedure 01/2014 стандартына сәйкес

Белгілер

Төменде жабдықта пайдаланылған белгілер көрсетілген. Қолданар алдында олардың мағынасын түсініп алыңыз.



Пайдалану жөніндегі нұсқаулықты оқып шығыңыз.



ҚОС ҚАБАТТЫ ОҚШАУЛАУ



Тек ЕО елдері үшін
Электрлік жабдықты тұрмыстық қалдықтармен бірге тастамаңыз!
Электрлік және электрондық жабдықты қоқысқа тастау бойынша Еуропалық директиваның шарттары бойынша, қызметтік мерзімі аяқталған электрлік жабдық бөлек жиналып, экологиялық тұрғыдан қауіпсіз утилизация пунктіне қайтарылуы тиіс.

Қолдану мақсаты

Құрал ағаш, пластмасса және металл материалдардың көлемді беттерін, сондай-ақ боялған беттерді ажарлауға арналған.

Қуат көзі

Құрал паспорттық деректері бар фирмалық тақтайшада көрсетілген кернеумен бірдей қуат көзіне қосылуы керек және тек бір фазалы АТ көзімен жұмыс істейді. Оның қос қабатты оқшауламасы бар болғандықтан, жерге тұйықталмаған розеткаларды пайдалануға болады.

Шу

Шу EN62841 стандартына сай анықталған стандартты А қысығы бойынша өлшенген шу деңгейі:

Дыбыс қысымының деңгейі (L_{pA}): 81 дБА

Дыбыс қысымының деңгейі (L_{WA}): 92 дБА

Делсіздігі (K): 3 дБА

ЕСКЕРТПЕ: Шудың жарияланған таралу мән(дер) і стандартты сынау әдісіне сәйкес өлшенген және оны бір құралды екінші құралмен салыстыру үшін пайдалануға болады.

ЕСКЕРТПЕ: Жарияланған шуды сондай-ақ әсерді алдын ала бағалау үшін пайдалануға болады.

⚠ЕСКЕРТУ: Қорғаныс құлаққабын киіңіз.

⚠ЕСКЕРТУ: Электрлік құралды іс жүзінде пайдалану кезіндегі шудың таралу мөні құралдың пайдалану әдісіне, әсіресе қандай дайындама өңделгеніне байланысты жарияланған мәнінен өзгеше болуы мүмкін.

⚠ЕСКЕРТУ: Іс жүзінде пайдалану кезіндегі әсерді бағалау негізінде операторды қорғау үшін қауіпсіздік шараларын анықтаңыз (құралдың өшірілген уақыты және бос жүріс уақытын қоса алғанда, іске қосылу уақыты сияқты барлық жұмыс циклдерін ескеру керек).

Діріл

EN62841 стандартына сәйкес анықталған дірілдің жалпы мәні (үш осьтік векторлық сомасы):

Жұмыс режимі: металл табақшаны ажарлау

Дірілдің таралуы (a_{n1}): 3,5 м/с²

Делсіздік (K): 1,5 м/с²

ЕСКЕРТПЕ: Дірілдің жарияланған жалпы мән(дер) і стандартты сынау әдісіне сәйкес өлшенген және оны бір құралды екінші құралмен салыстыру үшін пайдалануға болады.

ЕСКЕРТПЕ: Сондай-ақ дірілдің жарияланған жалпы мән(дер)ін әсерді алдын ала бағалау үшін пайдалануға болады.

⚠ЕСКЕРТУ: Электрлік құралды іс жүзінде пайдалану кезіндегі дірілдің мәні құралдың пайдалану әдісіне, әсіресе қандай дайындама өңделгеніне байланысты жарияланған мән(дер)інен өзгеше болуы мүмкін.

⚠ЕСКЕРТУ: Іс жүзінде пайдалану кезіндегі әсерді бағалау негізінде операторды қорғау үшін қауіпсіздік шараларын анықтаңыз (құралдың өшірілген уақыты және бос жүріс уақытын қоса алғанда, іске қосылу уақыты сияқты барлық жұмыс циклдерін ескеру керек).

ЕС сәйкестік декларациясы

Тек Еуропа елдеріне арналған

ЕС сәйкестік декларациясы осы пайдалану жөніндегі нұсқаулықтың А қосымшасы ретінде қосылған.

Электрлік құралдың жалпы қауіпсіздік ескертулері

⚠️ЕСКЕРТУ: Осы электрлік құралмен бірге берілген қауіпсіздік ескертулерін, нұсқауларды, суреттерді және техникалық сипаттамаларды оқып шығыңыз. Төменде берілген барлық нұсқауды орындамаған жағдайда, электр тогының соғуы, өрт шығуы және/немесе ауыр жарақат алуға себеп болуы мүмкін.

Алдағы уақытта қолдану үшін барлық ескерту мен нұсқауды сақтап қойыңыз.

Ескертулердегі “электрлік құрал” терминін қуат көзінен жұмыс істейтін (сымды) электрлік құралды немесе аккумулятормен жұмыс істейтін (сымсыз) электрлік құралды білдіреді.

Жұмыс аймағындағы қауіпсіздік

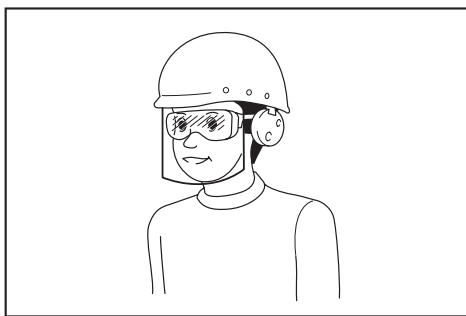
1. **Жұмыс аймағы таза әрі жарық болуы керек.** Лас немесе қараңғы аймақтарда жазатайым оқиғалар туындауы мүмкін.
2. **Электрлік құралды айналсынды тез тұтанатын сұйықтық, газ немесе шаң сияқты заттардан тұратын жарылыс қаупі бар орталарда пайдаланбаңыз.** Электрлік құралдар шаң немесе газды тұтандыратын электр ұшқындарын шығарады.
3. **Электрлік құралды пайдаланған кезде, балалар және бөгде адамдар алшақ жүруі керек.** Басқа нәрсеге алаңдасңыз, құралға ие бола алмай қалуыңыз мүмкін.

Электрлік қауіпсіздік

1. **Электрлік құралдың ашасы розеткаға сәйкес келуі керек.** Ашаны ешбір жағдайда өзгертпеңіз. Адаптер ашаларын жерге тұйықталған электрлік құралдармен пайдаланбаңыз. Өзгертілмеген ашалар мен сәйкес келетін розеткалар электр тогының соғу қаупін азайтады.
2. **Түтіктер, радиаторлар, жылу батареялары және тоназытқыштар сияқты жерге тұйықталған бұйымдарды ұстамаңыз.** Егер денеңіз жерге тұйықталатын болса, ток соғу қаупі жоғары болады.
3. **Электрлік құралдарды жаңбырдың астына немесе ылғалды жерлерге қоюмаңыз.** Электрлік құралға су кіретін болса, ток соғу қаупі артады.
4. **Қуат сымын мұқият пайдаланыңыз.** Электрлік құралды тасу, тарту немесе қуат көзінен ажырату үшін қуат сымын пайдалануға болмайды. Қуат сымына ыстық зат, май, өткір жиек немесе қозғалмалы бөлшектер тимеуі керек. Зақымдалған немесе оралған қуат сымдары ток соғу қаупін арттырады.
5. **Электрлік құралды сыртта пайдаланғанда, сыртта қолдануға жарамды ұзартқышты қолданыңыз.** Сыртта қолдануға жарамды шнурды пайдалану ток соғу қаупін азайтады.
6. **Егер электрлік құралды ылғалды жерде пайдалану керек болса, қорғаныстық ажырату құрылғысын (RCD) пайдаланыңыз.** Қорғаныстық ажырату құрылғысын пайдалану ток соғу қаупін азайтады.
7. **Электр қуатын әрдайым 30 мА немесе одан кем номиналды дифференциалды тогы бар қорғаныстық ажырату құрылғысы (RCD) арқылы пайдалану ұсынылады.**
8. **Электрлік құралдар электрмагниттік өрістер шығарады, ол пайдаланушыға қауіпті емес.** Дегенмен электрокардиостимулятор және соған ұқсас басқа медициналық құрылғылардың пайдаланушылары электрлік құралды пайдаланбас бұрын, өндірушімен және/немесе дәрігермен кеңесуі керек.
9. **Қуат ашасын су қолыңызбен ұстамаңыз.**
10. **Егер сымы зақымдалған болса, қауіптен сақтану үшін оны өндірушіге немесе оның агентіне апарып ауыстырыңыз.**

Жеке қауіпсіздік

1. **Электрлік құралды пайдаланған кезде, жасап жатқан жұмысыңызға қырағылық танытып, мұқият болыңыз.** Шаршағанда немесе есірткі, алкоголь немесе дәрі-дәрмектің әсерінде болған кезде электрлік құралды пайдаланбаңыз. Электрлік құралды пайдалану кезінде сөл ғана аңсыздық таныту ауыр жарақатқа әкелуі мүмкін.
2. **Жеке қорғаныс құралдарын пайдаланыңыз.** Міндетті түрде қорғаныс көзілдірігін тағыңыз. Шаңнан қорғайтын маска, сырғанамайтын қорғаныс аяқ киімі, қасқа немесе құлақпап сияқты қорғаныс жабдықтарын тиісті жағдайларда қолдану жарақаттануды азайтады.
3. **Кездейсоқ іске қосудың алдын алыңыз.** Құралды қуат көзіне және/немесе аккумулятор блогына қоспас бұрын, оны жинап немесе тасымалдамас бұрын, ауыстырып-қосқыш өшірулі күйде екеніне көз жеткізіңіз. Саусақ электрлік құралдың ауыстырып-қосқышында тұрған кезде оны тасымалдау немесе ауыстырып-қосқышы қосулы электрлік құралды қуат көзіне қосу жазатайым оқиғаға әкел соғуы мүмкін.
4. **Электрлік құралды қоспас бұрын, реттегіш немесе сомынды бұрайтын кілттерді алып тастаңыз.** Электрлік құралдың айналмалы бөлігінде реттегіш немесе сомынды бұрайтын кілт бекітулі қалса, жарақаттауы мүмкін.
5. **Тым артық күш салмаңыз.** Әрдайым тұрақты және тепе-теңдік сақтайтын күйде болыңыз. Бұл күтпеген жағдайда электрлік құралды жақсы басқаруға мүмкіндік береді.
6. **Жұмысқа сай киініңіз.** Бос киім қименіз және әшекей тақпаңыз. Шашыңызды және киіміңізді қозғалмалы бөлшектерден алшақ ұстаңыз. Бос киім, әшекейлер немесе ұзын шаш қозғалмалы бөлшектерге ілініп қалуы мүмкін.
7. **Шаң тұту және жинау құрылғылары қамтамасыз етілген болса, олардың қосулы екендігіне және дұрыс қолданылып жатқанына көз жеткізіңіз.** Шаң жинау құрылғысын пайдалану шаңмен байланысты қауіпті азайтуы мүмкін.
8. **Құралды жиі пайдалану нәтижесінде босансып, қауіпсіздік қағидаларын елеусіз қалдырмаңыз.** Салғырттық таныту бір мезетте ауыр жарақатқа әкел соқтыруы мүмкін.
9. **Электрлік құралды пайдаланған кезде көзіңізді жарақаттап алмау үшін міндетті түрде қорғаныс көзілдірігін тағыңыз.** Қорғаныс көзілдіріктері АҚШ-та ANSI Z87.1, Еуропада EN 166 немесе Австралияда/Жаңа Зеландияда AS/NZS 1336 қауіпсіздік стандарттарымен сәйкес келуі керек. Австралияда/Жаңа Зеландияда бетіңізді қорғау үшін қорғаныс маскасын кию заң негізінде талап етіледі.



Құрал пайдаланушылары мен жұмыс аймағындағы басқа да тұлғалардың тиісті қауіпсіздік қорғаныс жабдықтарын пайдалануын қамтамасыз ету жұмыс берушінің жауапкершілігінде.

Электрлік құралды пайдалану және күтім жасау

1. **Электрлік құралға артық күш түсірмеңіз. Орындалатын жұмысқа сәйкес келетін электрлік құралды пайдаланыңыз.** Дұрыс таңдалған электрлік құрал өзіне жүктелген жұмысты жақсы және қауіпсіз істейді.
2. **Ауыстырып-қосқышы ақаулы электрлік құралды пайдаланбаңыз.** Ауыстырып-қосқышы ақаулы кез келген электрлік құрал қауіп көндіреді және оны жөндеу керек.
3. **Кез келген реттеулер жасамас бұрын, керек-жарақтарды ауыстырмас бұрын немесе электрлік құралдарды ұзақ уақытқа сақтамас бұрын, ашаны қуат көзінен ажыратыңыз және/немесе аккумулятор блогы бар болса, оны шығарып алыңыз.** Осындай алдын алу шаралары электрлік құралдың кездейсоқ іске қосылу қаупін азайтады.
4. **Электрлік құралдарды балалардың қолы жетпейтін жерде сақтаңыз, сонымен қатар электрлік құралмен жұмыс істей алмайтын және осы нұсқауларды оқымаған тұлғаларға құралды пайдалануға рұқсат етпеңіз.** Арнайы оқытудан өтпеген пайдаланушылар үшін электрлік құрал қауіп төндіреді.
5. **Электр құралдарына және керек-жарақтарға техникалық қызмет көрсетіңіз.** Қозғалмалы бөлшектердің ауытқуы және оралуы, зақымдалған бөлшектер және электрлік құралдың жұмысына кері әсер ететін басқа жағдайлардың бар-жоғын тексеріңіз. Зақымды болса, электрлік құралды жөндеген соң бірақ пайдаланыңыз. Жазатайым оқиғалардың көбі электрлік құралдарға дұрыс техникалық қызмет көрсетілмеу себебінен болады.
6. **Кесу құралдары өткір және таза болуы керек.** Кескіш жиектері өткір кесу құралдарын дұрыс пайдалансаңыз, олар тұрып қалмайды және сол себепті оларды басқару да оңайырақ етеді.
7. **Электрлік құралды, керек-жарақтарды және қондырмаларды, т.б. жұмыс жағдайы мен орындалатын жұмысты ескере отырып, осы нұсқауларға сәйкес пайдаланыңыз.** Электрлік құралды басқа мақсатта пайдаланған жағдайда, қауіпті жағдай туындауы мүмкін.

8. **Тұтқалардың және жұмыс орындалатын беттердің құрғақ, таза және майлы болмауын қамтамасыз етіңіз.** Тұтқалар және қолмен ұстайтын беттер тайғақ болса, күтпеген жағдай орын алғанда, құралды пайдалану және оған ие болу мүмкін болмайды.
9. **Электрлік құралды пайдаланған кезде, ішіне тартылу матадан жасалған қорғаныс қолғабын кимеңіз.** Матадан жасалған қорғаныс қолғаптары қозғалмалы бөлшектерге ілініп қалса, жарақаттауы мүмкін.

Қызмет көрсету

1. **Электрлік құралға қызмет көрсетуді тек қана жөндеу бойынша білікті аман тиісті қосалқы бөлшектерді пайдаланып жүзеге асыруы қажет.** Бұл электрлік құралдың қауіпсіздігін қамтамасыз етеді.
2. **Керек-жарақтарды майлау және ауыстыру нұсқауын орындаңыз.**

АЖАРЛАҒЫШ МАШИНА ҚАУІПСІЗДІГІ БОЙЫНША ЕСКЕРТУЛЕР

1. **Әрдайым қауіпсіздік көзілдірігін немесе қорғаныс көзілдірігін пайдаланыңыз.** Қарапайым көзілдірік немесе күннен қорғайтын көзілдірік қорғаныс көзілдірігі болып **ТАБЫЛМАЙДЫ.**
2. **Құралды мықтап ұстаңыз.**
3. **Құралды қосулы күйде қалдырмаңыз.** Құралды тек қолмен ұстап пайдаланыңыз.
4. **Құралдың су өткізбейтін қасиеті жоқ, сондықтан өңделетін бетке су тигізбеңіз.**
5. **Ажарлау жұмыстарын орындаған кезде жұмыс аймағын жақсылап желдетіңіз.**
6. **Кейбір материалдарда улы болуы мүмкін химиялық заттар бар.** Шаң жұтпаңыз және теріге тигізбеңіз. Материал жеткізүшісінің қауіпсіздік туралы деректерін қараңыз.
7. **Бұл құралды кейбір өнімдерді, бояуларды және ағашты ажарлау үшін пайдаланған кезде пайдаланушы қауіпті заттардан тұратын шаңның астында қалуы мүмкін.** Тыныс алу жолдарын қорғайтын тиісті құралдарды пайдаланыңыз.
8. **Пайдаланар алдында төсемде жарықтардың немесе сынған жерлердің жоқ екеніне көз жеткізіңіз.** Жарықтар немесе сынықтар жарақаттануға себеп болуы мүмкін.

ОСЫ НҰСҚАУЛАРДЫ САҚТАҢЫЗ.

▲ЕСКЕРТУ: Бұл өнімді әбден пайдаланып үйренген (қайталап пайдаланғанның нәтижесінде) болсаңыз да, осы өнімді қолдану кезінде қауіпсіздік техникасы ережелерін қатаң түрде **САҚТАУ ҚАЖЕТ.** Осы пайдалану жөніндегі нұсқаулықта келтірілген қауіпсіздік ережелерін **ДҰРЫС ПАЙДАЛАНБАУ** немесе орындамау ауыр жарақаттарға әкеп соқтыруы мүмкін.

ФУНКЦИОНАЛДЫҚ СИПАТТАМАСЫ

▲САҚ БОЛЫҢЫЗ:

- Құралдың жұмысын реттемей және тексермей тұрып, оның өшірулі екеніне және тоқтан ажыратылғанына әрдайым көз жеткізіңіз.

Ауыстырып-қосқыш әрекеті

- **Сурет1:** 1. Құлыптау түймесі 2. Ауыстырып-қосқыш шүріппесі

▲САҚ БОЛЫҢЫЗ:

- Құралды қоспас бұрын, әрдайым ауыстырып-қосқыш шүріппесінің дұрыс жұмыс істеп тұрғанына және босатылған кезде "ӨШІРУЛІ" күйіне қайтарылатынына әрқашан көз жеткізіп тұрыңыз.
- Ұзақ пайдалану кезінде оператордың ыңғайлылығы үшін ауыстырып-қосқыш "ҚОСУЛЫ" күйінде құлыптала алады. Құралдың "ҚОСУЛЫ" күйінде құлыпталуы кезінде сақтық танытыңыз және құралдан қатты ұстаңыз.

Құралды іске қосу үшін, ауыстырып-қосқыш шүріппесін жай тартыңыз. Тоқтату үшін ауыстырып-қосқыш шүріппесін жіберіңіз.

Үздіксіз жұмыс істеу үшін ауыстырып-қосқыш шүріппесін тартып, құлыптау түймесін басыңыз да, ауыстырып-қосқыш шүріппесін жіберіңіз. Құралды құлыптаулы күйден шығару үшін ауыстырып-қосқышты толығымен тартыңыз да, жіберіңіз.

Жылдамдық реттегіш дөңгелек

BO5041 үлгілері үшін

- **Сурет2:** 1. Жылдамдық реттегіш дөңгелек

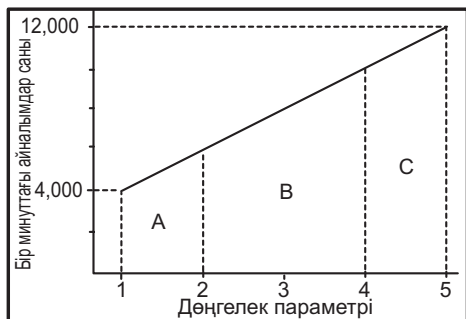
Құралдың жылдамдығын минутына 4 000 және 12 000 айналым ауқымында реттегіш дөңгелекті бұрау арқылы реттеуге болады. Жылдамдық дөңгелек бағыты 5 санына бұрылған кезде жоғарылайды, ал 1 санына бұрылған кезде төмендейді.

Реттегіш дөңгелектің нөмір параметрлері мен жұмыс түрінің байланысын төмендегі суреттен қараңыз.

А ауқымы: жылтырату үшін

В ауқымы: ажарлауды аяқтау үшін

С ауқымы: стандартты ажарлау үшін



ЕСКЕРТПЕ:

- Суретте стандартты қолданыс түрлері көрсетілген. Олар кейбір жағдайларда өзгеруі мүмкін.

ҚҰРАСТЫРУ

▲САҚ БОЛЫҢЫЗ:

- Құралмен жұмыс істемес бұрын, әрдайым құралдың өшірулі екендігіне және ажыратылғандығына көз жеткізіңіз.

Алдыңғы тұтқаны пайдалану жолы

► Сурет3

Алдыңғы тұтқаны босатып, қажетті жұмыс күйіне көлденеңінен жылжытуға болады. Алдыңғы тұтқа қажетті күйде болғанда, оны қолданар алдында қайта бекітіңіз.

Алдыңғы тұтқаны орнату немесе шешіп алу

- **Сурет4:** 1. Бұранда 2. Алдыңғы тұтқа

Тұтқыш табанын ашып, оны Makita логотипі аймағындағы ажарлағышқа бекітіңіз.

- **Сурет5:** 1. Тұтқыш табаны 2. Makita логотипі

Тұтқыш табанын жапқаннан кейін, алдыңғы тұтқаны тұтқыш табанының бұрандалы бөлігіне мықтап бекітіңіз.

► Сурет6

Шешіп алу үшін, тұтқаны босатып, алып тастаңыз, содан кейін алдыңғы тұтқаны алыңыз.

Ысқыш дискіні орнату немесе алып тастау

► Сурет7

Ысқыш дискіні орнатпас бұрын төсемді кірден немесе бөгде заттардан тазалаңыз. Содан кейін ысқыш дискіден төсеніш қағазды алыңыз да, ысқыш дискіні төсемге бекітіңіз. Ысқыш дискідегі саңылауларды төсемдегі саңылаулармен мұқият туралаңыз.

▲САҚ БОЛЫҢЫЗ:

- Егер ысқыш дискіні төсемнен алып тастасаңыз, оның тіркесуі нашар болады. Оны одан әрі пайдалану үшін ешқашан төсемге жабыстыруға тырыспаңыз.

Шаң қапшығын орнату

- **Сурет8:** 1. Шаң қапшығы

Шаң қапшығындағы Makita логотипі тік болатындай (төңкерілмеген), шаң қапшығын құралға орнатыңыз.

Шаң қапшығын босату

► Сурет9: 1. Шаң жүретін мойын

Шаң қапшығы шамамен жартылай толық болғанда, құралды өшіріп, желіден ажыратыңыз. Шаң қапшығын құралдан алып тастаңыз. Шаң жүретін мойынды сағат тіліне қарсы бағытта аздап бұрағаннан кейін шаң қапшығынан алып тастаңыз. Шаң қапшығын ақырын қағып босатыңыз.

► Сурет10: 1. Шаң жүретін мойын

Шаң қапшығын босатқаннан кейін шаң жүретін мойынды шаң қапшығына орнатыңыз. Шаң жүретін мойынды орнына бекіту үшін сәл ғана сағат тілі бағытымен бұраңыз. Содан кейін шаң қапшығын құралға "Шаң қапшығын орнату" бөлімінде сипатталғандай орнатыңыз.

Қағаз шаң қапшығын орнату

► Сурет11: 1. Ойық 2. Алдыңғы бекіту картоны 3. Қағаз шаң қапшығының алдыңғы жағы

Қағаз шаң қапшығының алдыңғы жағын жоғары қаратып, қағаз шаң қапшығының ұстағышына орналастырыңыз. Қағаз шаң қапшығының алдыңғы бекіту картонын қағаз шаң қапшығы ұстағышының ойығына енгізіңіз.

► Сурет12: 1. Тырнақшалар 2. Жоғарғы бөлігі

Алдыңғы бекіту картонын тырнақшаларға ілу үшін оның жоғарғы бөлігін көрсеткі бағытымен басыңыз.

► Сурет13: 1. Кертік 2. Бағыттауыш

► Сурет14

Қағаз шаң қапшығының кертігін қағаз шаң қапшығы ұстағышының бағыттауышына енгізіңіз. Содан кейін қағаз шаң қапшығы ұстағышының жинағын құралға орнатыңыз.

Сүзгіш қағаз қапшығын орнату

► Сурет15: 1. Ұстағыш

Картон жиегіндегі логотип пен шаң қорабындағы логотиптің бір жақта орналасуын тексеріңіз, содан кейін картон жиегін әрбір ұстағыштың ойығына сәйкестендіру арқылы сүзгіш қағаз қапшығын орнатыңыз.

► Сурет16: 1. Шаң қорабы 2. Шаң жүретін мойын

Картон жиегіндегі логотип пен шаң жүретін мойындағы логотиптің бір жақта орналасуын тексеріңіз, содан кейін шаң жүретін мойынды шаң қорабына орнатыңыз.

Шаң қорабын және сүзгіш қағаз қапшығын алып тастау

► Сурет17: 1. Ысырма 2. Шаң жүретін мойын

Екі ысырманы басу арқылы шаң жүретін мойынды шығарып алыңыз.

► Сурет18

Алдымен сүзгіш қағаз қапшығын картон жиегінің логотип белгіленген жағын қысу арқылы жылжытыңыз, содан кейін оны шаң қорабының ұстағышынан шығарып алу үшін картон жиегін төмен қарай тартыңыз.

ПАЙДАЛАНУ

▲САҚ БОЛЫҢЫЗ:

- Жұмыс істеу кезінде, әрқашан алдыңғы тұтқаны пайдаланыңыз және алдыңғы тұтқа мен ауыстырып-қосқыштың тұтқасын мықтап ұстаңыз.

Ажарлау жұмыстары

► Сурет19

▲САҚ БОЛЫҢЫЗ:

- Құралды ысқыш дискісіз ешқашан пайдаланбаңыз. Төсемді қатты зақымдауыңыз мүмкін.
- Құралға ешқашан күш түсірмеңіз. Шамадан тыс қысым ажарлау тиімділігін төмендетуі, ысқыш дискіні зақымдауы немесе құралдың қызмет мерзімін қысқартуы мүмкін.
- Төсем шетін өңделетін бөлшекпен жанастырып құралды пайдалану төсемді зақымдауы мүмкін.

Құралды мықтап ұстаңыз. Құралды іске қосыңыз және ол толық жылдамдыққа жеткенше күтіңіз. Содан кейін құралды өңделетін бөлшектің бетіне мұқият орналастырыңыз. Төсемді өңделетін бөлшекпен беттестіріп ұстаңыз және құралға аздап қысым түсіріңіз.

▲САҚ БОЛЫҢЫЗ:

- Ажарлағыш төсем жүктемемен жұмыс істегенде, сағат тілі бағытымен айналады, бірақ жүктемесіз жұмыс істегенде, сағат тіліне қарсы бағытта айналуы мүмкін.

Жылтырату жұмыстары

VO5041 үлгілері үшін

▲САҚ БОЛЫҢЫЗ:

- Makita түпнұсқа сорғыш төсемін, киіз төсемін немесе жүн төсемін (қосымша керек-жарақтар) пайдаланыңыз.
- Жұмыс беттерінің қалыптан тыс қызып кетуіне жол бермеу үшін құралды әрдайым төмен жылдамдықпен пайдаланыңыз.
- Құралға ешқашан күш түсірмеңіз. Шамадан тыс қысым түсіру жылтырату тиімділігін төмендетеді, моторға артық жүктеме түсіреді, нәтижесінде құрал ақауларының туындауына әкеледі.

1. Балауыз қолдану

► Сурет20: 1. Сорғыш төсем

Қосымша сорғыш төсемді пайдаланыңыз. Сорғыш төсемге немесе жұмыс бетіне балауыз жағыңыз. Балауызды тегістеу үшін құралды төмен жылдамдықпен пайдаланыңыз.

ЕСКЕРТПЕ:

- Құралдың жұмыс бетін жырмайтынына немесе балауызды тегіс жағатынына көз жеткізу үшін алдымен жұмыс бетінің көрінбейтін бөлігін жылтыратып көріңіз.
- Өрдайым құралды төмен жылдамдықта пайдаланыңыз. Жоғары жылдамдықта пайдалану балауыздың шашырауына әкелуі мүмкін.

2. Балауызды кетіру**► Сурет21:** 1. Киіз төсем

Қосымша киіз төсемді пайдаланыңыз. Балауызды кетіру үшін құралды төмен жылдамдықпен пайдаланыңыз.

3. Жылтырату**► Сурет22:** 1. Жүн қақпақ

Қосымша жүн төсемді пайдаланыңыз. Құралды төмен жылдамдықпен іске қосып, жүн төсемді жұмыс бетімен ақырын жүргізіңіз.

ТЕХНИКАЛЫҚ ҚЫЗМЕТ КӨРСЕТУ**⚠САҚ БОЛЫҢЫЗ:**

- Тексеру немесе техникалық қызмет көрсету жұмыстарын жүргізбес бұрын, өрдайым құралдың өшірулі екендігіне және желіден ажыратылғанына көз жеткізіңіз.
- Жанармайды, бензинді, сұйылтқышты, спиртті немесе соған ұқсас заттарды ешқашан пайдаланбаңыз. Нәтижесінде түссіздену, құрал пішінінің өзгеруі немесе жарықтар пайда болуы мүмкін.

Өнімнің ҚАУІПСІЗДІГІ мен СЕНІМДІЛІГІН қамтамасыз ету үшін жөндеу жұмыстары, графитті қылшақты тексеру және алмастыру, кез келген басқа техникалық қызмет көрсету немесе реттеу жұмыстары Makita компаниясының өкілетті қызмет көрсету орталықтары тарапынан (Makita қосалқы бөлшектерін қолдана отырып) орындалуы керек.

**ҚОСЫМША
КЕРЕК-ЖАРАҚТАР****⚠САҚ БОЛЫҢЫЗ:**

- Бұл керек-жарақтар мен қондырмаларды осы нұсқаулықта көрсетілген Makita құралымен бірге пайдаланған дұрыс. Басқа керек-жарақтар мен қондырмаларды пайдалану адамдардың жарақаттануына әкелуі мүмкін. Керек-жарақты немесе қондырманы тек мақсатына сәйкес пайдаланыңыз.

Осы керек-жарақтар туралы қосымша мәлімет алу үшін көмек қажет болса, жергілікті Makita қызмет көрсету орталығына хабарласыңыз.

- Жабысқақ ілмек түріндегі ысқыш дискілер (алдын ала тесілген саңылаулары бар)
- Жабысқақ ілмек түріндегі сорғыш төсем
- Қағаз шаң қапшығының ұстағышы (Тек VO5041 үшін)
- Жабысқақ ілмек түріндегі киіз төсем
- Жабысқақ ілмек түріндегі жүн төсем
- Қағаз шаң қапшығы

ЕСКЕРТПЕ:

- Тізімдегі кейбір элементтер стандартты керек-жарақтар ретінде құралдың қаптамасында болуы мүмкін. Олар әр елде әртүрлі болуы мүмкін.

Makita Europe N.V. Jan-Baptist Vinkstraat 2,
3070 Kortenberg, Belgium

Makita Corporation 3-11-8, Sumiyoshi-cho,
Anjo, Aichi 446-8502 Japan

www.makita.com

884946-789 EN, RU, KK 20190905
